



General Description

The S22T is a optic intended for use with LED highbays and induction sources. Unlike traditional reflectors, the S22T is designed to allow high beam angles from LED arrays. Its large flat top allows it to be easily adapted to most any fixture without the need for expensive collars. The lower flange mimics traditional reflectors allowing for a wide range of bottom lenses and standard clamp bands.

Features and Benefits

- Rated up to 400 watts.
- Provides a traditional yet low profile appearance.
- Adaptable to any LED UFO/POD with an opening of up to 16.6 inches.
- Available in UV stabilized Acrylic in Clear, Moon Glow™ (for moderate diffusion), Lumieo™ (for greater diffusion) for high efficiency in general lighting or Interface® version yields high down light efficiency and a gentle glow for maximum brightness control.
- Additional up-light is provided with the use of material such as Moon Glow™ or Lumieo™.
- Available in Clear Polycarbonate or Impact Modified Acrylic for areas where breakage and high ambient heat are concerns.

- Molded with a closed flat top or choose a custom hole pattern up to 16.6" opening to best fit Light Engine of choice.
- Accommodates standard 22" diameter bottom lenses to be held in place by a clamp band. Primarily for applications where brightness control is paramount. Bottom lenses also enhance up-light.

Applications

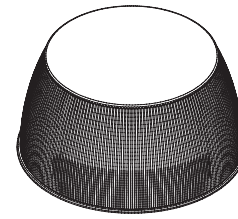
High bay and low bay applications where a traditional fixture appearance, brightness control and/or wide distribution are desirable. Before final installation of Reflexors, dissipate static on parts by spraying with de-staticized air or by wiping with a clean damp rag. This will help minimize dust build up on the Reflexor.

Service Life

Please visit our website www.alpadvantage.com under the Resources section and then select Warranties for more information.

Ordering Information

Please call 877-257-5841 for pricing and delivery.



Dimensions

11" height
22" diameter

Materials

Acrylic:
Clear
Lumieo™
Interface®
Moon Glow™
Polycarbonate:
Clear
Colors available upon request

Accessories/Options

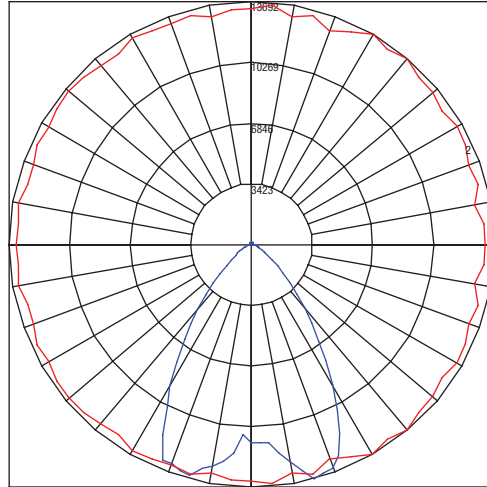
Accessories/Options:
Smooth Flat Lens
622 Drop Lens
Conical Drop Lens
Smooth Collar
Stainless Steel clamp band (For use with all bottom lenses except the 622)
Aluminum clamp band (For 622 use only)
Wire Guard

For customized cuts please fill out a S22T order sheet located on our website www.alpadvantage.com or contact your customer service representative

Fixture Performance for Reference Only

Report Number:
Issue Date: 07/28/17
Catalog Number: S22T
Mounting: Pendant
Lumens: 19075
Watts: 162
Lumens Per Watt: 118

Spacing Criteria
0-180 1.20
90-270 1.20
DIA 1.10



Maximum Candela = 13692.4 Located At Horizontal Angle = 60, Vertical Angle = 15
 # 1 - Vertical Plane Through Horizontal Angles (60 - 240) (Through Max. Cd.)
 # 2 - Horizontal Cone Through Vertical Angle (15) (Through Max. Cd.)

Lumen Summary

Zone	Lumens	% Fixture
0-30	10205.96	53.50
0-40	14394.86	75.50
0-60	17864.27	93.70
0-90	18689.38	98.00
90-120	137.96	0.70
90-130	181.00	0.90
90-150	300.29	1.60
90-180	385.91	2.00
0-180	19075.29	100.0

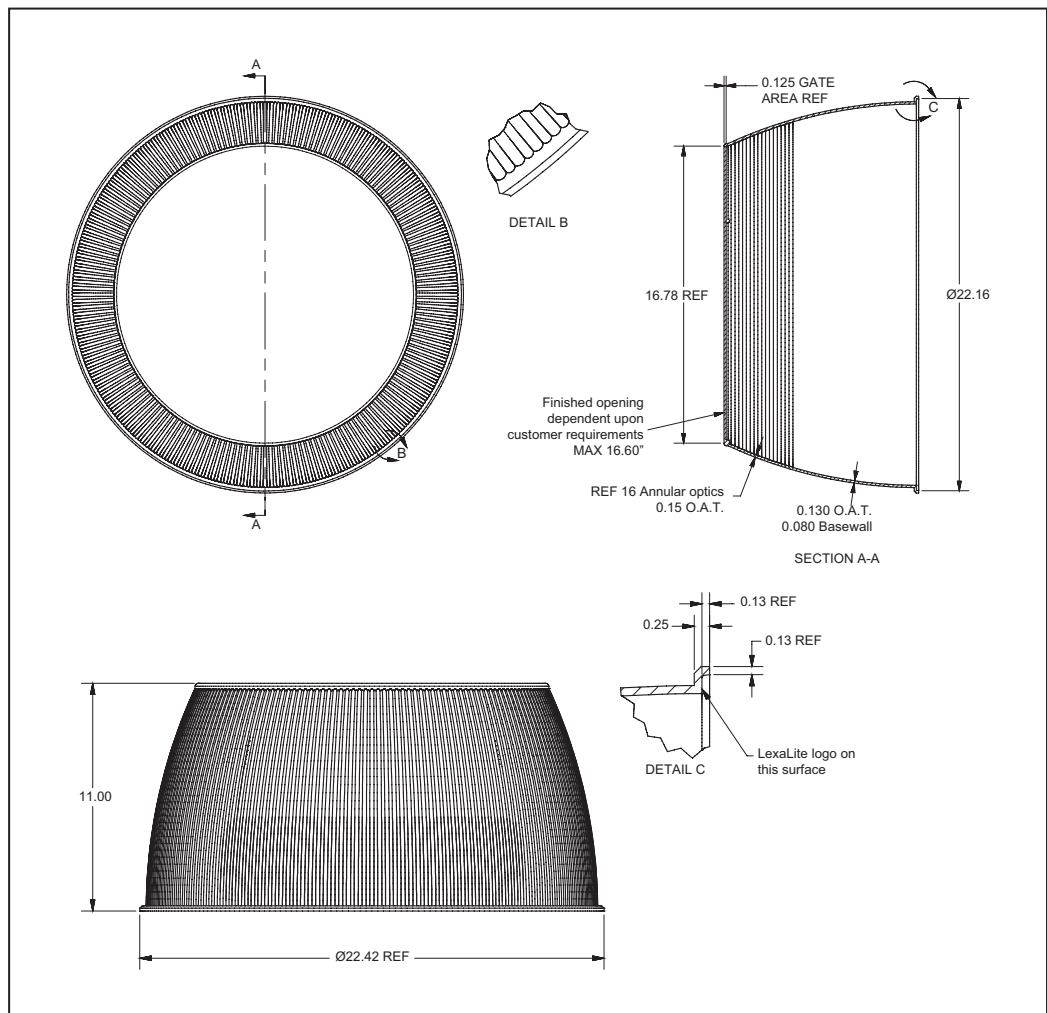
Materials

See the LexaLite[®] brand price list for current part numbers and material offerings. Up-to-date and detailed material specifications can be found in the Resources section on our website www.alpadvantage.com.

Notice

A.L.P. assumes no responsibility for suitability of these materials in any luminaire or application. Please test for fit and function prior to ordering project quantities.

While A.L.P. utilizes IESNA testing procedures and believes our testing results to be accurate, A.L.P. provides photometry for reference only. Actual results will vary based on the actual light source(s) and power source(s) used, i.e. ballast, driver, generator, etc. and the combinations in which they are used, as well as operating temperatures, and other electrical and environmental variables. We urge that customers perform their own fixture qualifications prior to making performance-based claims. In no event will A.L.P. be liable for any loss or damage, including without limitation, indirect or consequential loss or damage in connection with the use of this information.



This drawing is for reference only. Actual part dimensions will vary. Customer is urged to review actual samples to confirm fit and function. All specifications and dimensions are subject to change without notice.