**General Description**

The S16 is a remote optic intended for use with POD style LED highbays and induction sources. Unlike traditional reflectors, the S16 is shallow so as to allow high beam angles. Its large flat top allows it to be easily adapted to most any fixture without the need for expensive collars. The lower flange mimics traditional reflectors allowing for a wide range of bottom lenses and standard clamp bands.

Features and Benefits

- Rated up to 250 watts.
- Provides a traditional yet low profile appearance
- Adaptable to any LED UFO/POD with an opening of up to 10 inches
- Available in UV stabilized Acrylic in Clear, Moon Glow™ (for moderate diffusion), Lumieo® (for greater diffusion) for high efficiency in general lighting or Interface® version yields high down light efficiency and a gentle glow for maximum brightness control.
- Additional up-light is provided with the use of material such as Moon Glow or Lumieo.
- Available in Clear Polycarbonate or Impact Modified Acrylic for areas where breakage and high ambient heat are concerns.

- Molded with a closed flat top or choose a custom hole pattern up to 10.06" opening to best fit Light Engine of choice.
- Accommodates standard 16" diameter bottom lenses to be held in place by a clamp band. Primarily for applications where brightness control is paramount. Bottom lenses also enhance up-light.

Applications

High bay and low bay applications where a traditional fixture appearance, brightness control and/or wide distribution are desirable. Before final installation of Reflexors, dissipate static on parts by spraying with de-staticized air or by wiping with a clean damp rag. This will help minimize dust build up on the Reflexor.

Service Life

Please visit our website www.alpadvantage.com under the Resources section and then select Warranties for more information.

Ordering Information

Please call 877-257-5841 for pricing and delivery.

Dimensions

8.5" height
16" diameter

Materials

Acrylic:
Clear
Lumieo®
Moon Glow™
Interface®
Impact Modified
Polycarbonate:
Clear

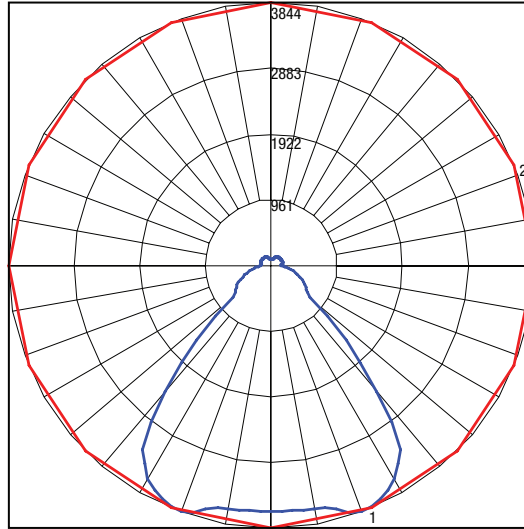
Accessories/Options

Tapered Drop Lens
Widebay16 Lens
Smooth Flat Lens
Conical Drop Lens
Stainless Steel clamp band
Wire Guard

For customized cuts please fill out a S16 order sheet located on our website www.alpadvantage.com or contact your customer service representative

Fixture Performance for Reference Only

Report Number: 05050
Issue Date: 07/30/14
Prepared for: A.L.P. LexaLite Brand
Catalog Number: S16i
Luminaire: S16 Interface with one LED pod and clear domed lens covering LEDs
Lamp: 48 LEDs in a circular pattern
Mounting: Pendant
Driver: (2) Inventronics EUC-075S070ST
Watts: 109.60 @ 119.92 volts
Lumens per watt: 80.89



Maximum Candela = 3843.89 Located At Horizontal Angle = 0, Vertical Angle = 20
 # 1 - Vertical Plane Through Horizontal Angles (0-180) (Through Max. Cd.)
 # 2 - Horizontal Cone Through Vertical Angle (20) (Through Max. Cd.)

Lumen Summary

Zone	Lumens	% Fixture
0-30	3138	35.40
0-40	5108	57.60
0-60	6855	77.30
0-90	7912	89.20
90-120	500	5.60
90-130	647	7.30
90-150	860	9.70
90-180	956	10.80
0-180	8869	100.0

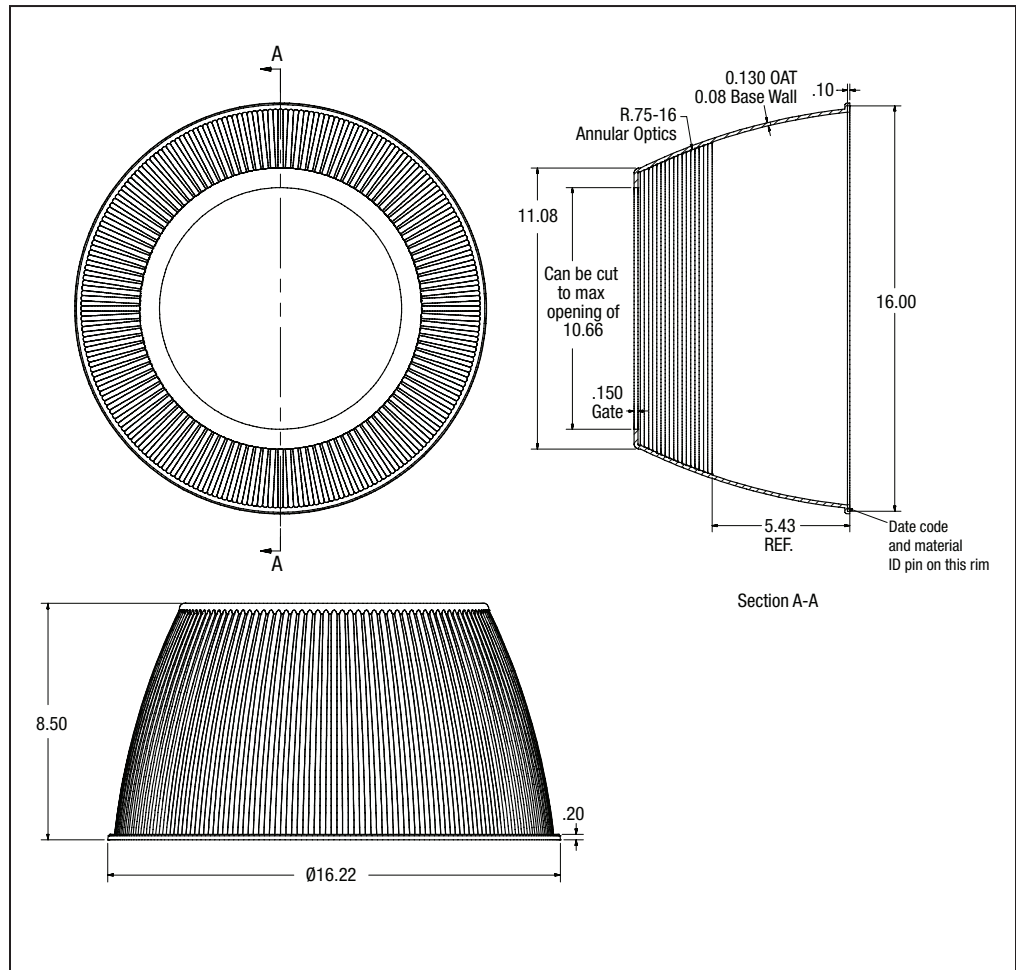
Materials

See the LexaLite® brand price list for current part numbers and material offerings. Up-to-date and detailed material specifications can be found in the Resources section on our website www.alpadvantage.com.

Notice

A.L.P. assumes no responsibility for suitability of these materials in any luminaire or application. Please test for fit and function prior to ordering project quantities.

While A.L.P. utilizes IESNA testing procedures and believes our testing results to be accurate, A.L.P. provides photometry for reference only. Actual results will vary based on the actual light source(s) and power source(s) used, i.e. ballast, driver, generator, etc. and the combinations in which they are used, as well as operating temperatures, and other electrical and environmental variables. We urge that customers perform their own fixture qualifications prior to making performance-based claims. In no event will A.L.P. be liable for any loss or damage, including without limitation, indirect or consequential loss or damage in connection with the use of this information.



This drawing is for reference only. Actual part dimensions will vary. Customer is urged to review actual samples to confirm fit and function. All specifications and dimensions are subject to change without notice.