**Dimensions**

6.5" height
12" diameter

Materials

Acrylic:
Clear
Lumieo™
Interface®
Moon Glow™
Polycarbonate:
Clear
Colors available upon request

Accessories/Options

Accessories/Options
Smooth Flat Lens
Smooth Domed Lens
Conical Drop Lens
Aluminum clamp band

General Description

The S12 is a optic intended for use with LED low bays and pendant sources. Unlike traditional reflectors, the S12 is shallow so as to allow high beam angles. Its flat top allows it to be easily adapted to most any fixture without the need for expensive collars. The lower flange mimics traditional reflectors allowing for a wide range of bottom lenses and standard clamp bands.

- Molded with a closed flat top or choose a custom hole pattern up to 6.87" opening to best fit Light Engine of choice.
- Accommodates standard 12" diameter bottom lenses to be held in place by a clamp band. Primarily for applications where brightness control is paramount. Bottom lenses also enhance up-light.

Features and Benefits

- Rated up to 175 watts.
- Provides a traditional yet low profile appearance
- Adaptable to any LED UFO/POD with an opening of up to 6.87 inches
- Available in UV stabilized Acrylic in Clear, Moon Glow™ (for moderate diffusion), Lumieo™ (for greater diffusion) for high efficiency in general lighting or Interface® version yields high down light efficiency and a gentle glow for maximum brightness control.
- Additional up-light is provided with the use of material such as Moon Glow or Lumieo.
- Available in Clear Polycarbonate for areas where breakage and high ambient heat are concerns.

Applications

Low bay and decorative pendant applications where a traditional fixture appearance, brightness control and/or wide distribution are desirable. Before final installation of Reflexors, dissipate static on parts by spraying with de-staticized air or by wiping with a clean damp rag. This will help minimize dust build up on the Reflexor.

Service Life

Please visit our website www.alpadvantage.com under the Resources section and then select Warranties for more information.

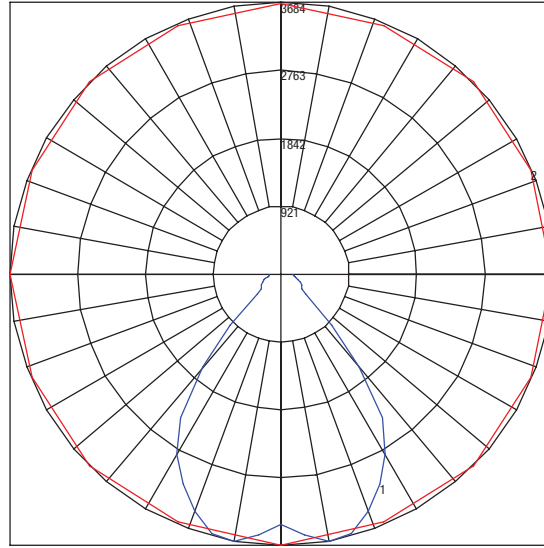
Ordering Information

Please call 877-257-5841 for pricing and delivery.

For customized cuts please fill out a S12 order sheet located on our website www.alpadvantage.com or contact your customer service representative

Fixture Performance for Reference Only

Issue Date: 05/22/17
Prepared for: A.L.P. LexaLite Brand
Catalog Number: S12 Clear
Luminaire: S12 Clear with Nichia Cool White LED
Lamp: (99) LED 0.6W Nichia Cool White (100mA)
Mounting: Pendant
Driver: Meanwell 60w driver
Watts: 59.4
Lumens per watt: 80
Spacing Criteria
0-180 1.04
90-270 1.04
DIA 0.54



Maximum Candela = 3683.72 Located At Horizontal Angle = 45, Vertical Angle = 10
 # 1 - Vertical Plane Through Horizontal Angles (45 - 225) (Through Max. Cd.)
 # 2 - Horizontal Cone Through Vertical Angle (10) (Through Max. Cd.)

Lumen Summary

Zone	Lumens	% Fixture
0-20	1356.94	22.50
0-30	2799.85	46.50
0-40	4239.63	70.40
0-60	5320.67	88.40
0-80	5830.26	96.80
0-90	6020.46	100.0
0-180	6020.46	100.0

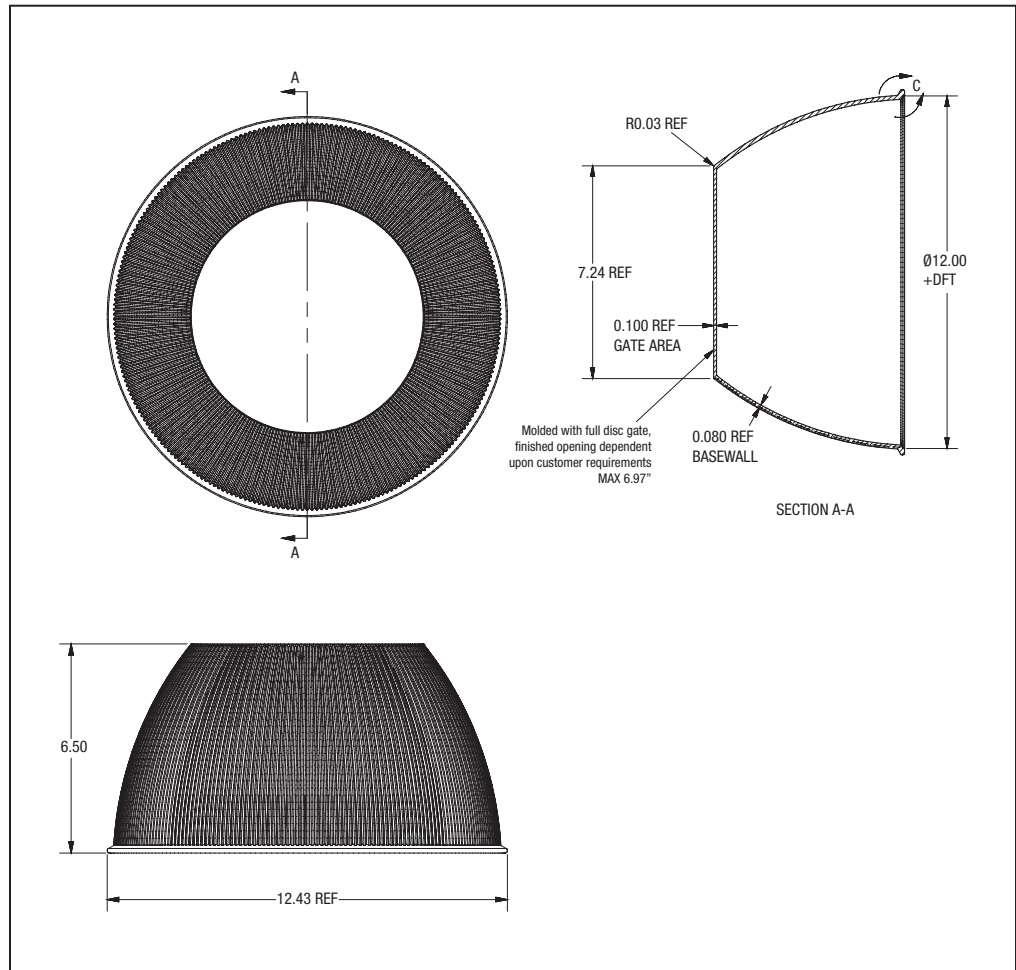
Materials

See the LexaLite® brand price list for current part numbers and material offerings. Up-to-date and detailed material specifications can be found in the Resources section on our website www.alpadvantage.com.

Notice

A.L.P. assumes no responsibility for suitability of these materials in any luminaire or application. Please test for fit and function prior to ordering project quantities.

While A.L.P. utilizes IESNA testing procedures and believes our testing results to be accurate, A.L.P. provides photometry for reference only. Actual results will vary based on the actual light source(s) and power source(s) used, i.e. ballast, driver, generator, etc. and the combinations in which they are used, as well as operating temperatures, and other electrical and environmental variables. We urge that customers perform their own fixture qualifications prior to making performance-based claims. In no event will A.L.P. be liable for any loss or damage, including without limitation, indirect or consequential loss or damage in connection with the use of this information.



This drawing is for reference only. Actual part dimensions will vary. Customer is urged to review actual samples to confirm fit and function. All specifications and dimensions are subject to change without notice.