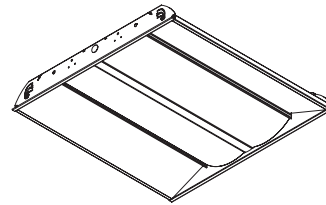




Date	
Catalog Number	
Project	
Prepared by	
Type	
Comments	



## General Description

The ELL offers the look and feel of a fluorescent luminaire — subtle soft direct elements, interest and depth across the ceiling plane — with a contemporary look that blends with today's commercial spaces.

The extruded acrylic lens with softening overlay provides a diffused luminance, with the effective combination of excellent light transmission and haze.

## Applications

For recessed commercial applications such as offices, hospitals, schools etc. Suitable for use in standard 15/16" inverted T-Bar grid ceilings.

## Features and Benefits

- Linear ribbed acrylic lens with overlay manages the balance of efficiency and aesthetics
- Linear arrayed LED modules provide diffuse, but effective illumination

## Housing

Low profile body with matte white sloped side members

## Direct Optical Component

High reflectance optical engine

## Diffuser Surround

Linear ribbed acrylic lens

## Luminaire Type

Recessed troffer fixture body assembly  
2'x2' and 2'x4' size.

## Finish

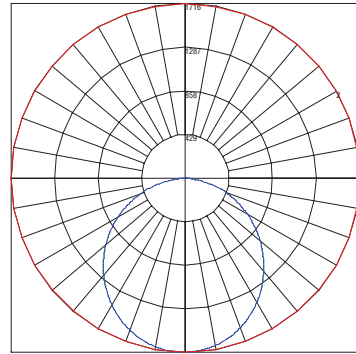
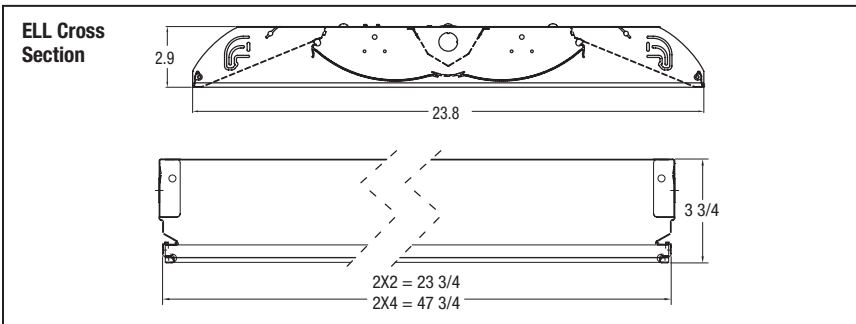
Pre-painted white polyster polymer with minimum 82% reflectivity

Please contact A.L.P. for pricing and delivery.

A.L.P. will support design and development with customer supplied light engines.

All specifications subject to change without notice. A.L.P. Lighting Components, Inc. assumes no responsibility for these materials in any luminaire or application.

The product is an OEM component kit requiring final assembly by a qualified OEM fixture manufacturer.



**Report Number:**

s15070025x-01

**Test Date:** 07/23/15

**Product Number:**

ELL24-4850LCO-1

**Lumens:** 4675.6

**Watts:** 47.9

**Lumens Per Watt:** 98

**CRI:** 80

**CCT:** 5000K

**Zonal Lumen Summary**

Zone	Lumens	%Fixt
0-30	1326.14	28.40
0-40	2163.04	46.30
0-60	3771.1	80.70
0-90	4671.14	99.90
0-180	4675.57	100.0

**Spacing Criteria**

<b>0-180</b>	1.26
<b>90-270</b>	1.26
<b>DIA</b>	1.36

**ELL Metal Component Kits**

Kit Number	Component	Qty
<b>ELL22-2LL (2x2 LED Kit)</b>		
ELL-22B-2LL	ELL 2x2 Body	1
ELL-22C	ELL 2ft Cover	1
ELL-22E	ELL 2ft End	2
ELL-22R-ALP	ELL 2ft Reflector	2
ACPLS	Small Access Plate White	1
<b>ELL24-2LL (2x4 LED Kit)</b>		
ELL-24B-2LL	ELL 2x4 Body	1
ELL-24C	ELL 4ft Cover	1
ELL-22E	ELL 2ft End	2
ELL-24R-ALP	ELL 4ft Reflector	2
ACPLS	Small Access Plate White	1

**Shielding Options**

Kit Number	Component	Qty
ELL-22LWi	2ft White Lens	1
ELL-22LFI	2ft Frost Lens	1
ELL-24LWi	4ft White Lens	1
ELL-24LFI	4ft Frost Lens	1
681321	2ft Grid Pattern Decorative Insert	1
681322	4ft Grid Pattern Decorative Insert	1

**Optional Hardware**

Part Number	Description
SCR8001	#8-18X.25XTYPE B, Hex/Slot/Phil D41-43BS MULTI Grip Rivet White
RIV41431W	#8-32X1/4 Slot/Hex Green Zinc
SCR8GND	#4-40x3/16 Phil Pan Zinc Thread
SCR4002	Cut Screw, LED

